



HP DesignJet T730 Printer

HP DesignJet T830 MFP

Product Overview

October 15th, 2015

HP DesignJet Printers, MFP, and Scanner for CAD and GIS

	HP DesignJet T3500 Production MFP	HP DesignJet T2530 Multifunction Printer series	HP DesignJet T1530 Printer series	HP DesignJet T1300 Printer	HP DesignJet T930 Printer series	HP DesignJet T830 Multifunction Printer	HP DesignJet T795 Printer
Size	36 inch (914 mm)	36 inch (914 mm)	36 inch (914 mm)	44 inch (1118 mm)	36 inch (914 mm)	36 inch (914 mm)	44 inch (1118 mm)
Product Description	The most productive large-format color MFP¹—prints up to size E/A0	Print/scan/copy, share—maximize workgroup productivity, enterprise security	Maximize workgroup productivity and enterprise security	Larger prints and higher productivity for workgroups	Boost team productivity and enhance security	Multifunction reinvented—built-in scanner at an unbeatable price²	Larger prints for bigger projects
Key Support 1	All your workflow needs in a high-productivity MFP	PROFESSIONAL—Your work in high quality, quickly	QUALITY—Your projects, presented at their best	PROFESSIONAL—Produce PostScript [®] -quality prints	QUALITY—Your projects, presented at their best	ROBUST—Damage-resistant for offices and job sites	QUALITY—Quickly produce outstanding results
Key Support 2	A production printer for unattended, low-cost use	PRODUCTIVE—Efficiencies help workgroups save time	PRODUCTIVITY—Ease, efficiency empower workgroups	PRODUCTIVE—Efficiencies empower busy workgroups	EFFICIENCY—Productive printing for demanding teams	CONVENIENT—Easy operation helps users save time	CONVENIENCE—Speed up printing with easy workflow
Key Support 3	Built for rigorous IT demands and top security	MANAGEABLE—Secure and easy-to-manage for IT	SECURITY—Enterprise compatible, IT manageable	FLEXIBILITY—Prints on sheets or rolls up to 44 in	SECURITY—Easily, confidently manage your printer	COLLABORATION—Mobile print/scan for team sharing	FLEXIBILITY—Prints on sheets or rolls up to 44 in



Large departments

Medium to large workgroups

Small to medium workgroups

New



1) Compared with large-format color MFPs under \$25,000 USD. Based on the fastest-rated color speeds as published by manufacturers as of January 2014. Test methods vary
 2) Based on 36-inch Wi-Fi integrated MFPs available in the market as of September, 2015.

HP DesignJet Printers, MFP, and Scanner for CAD and GIS

	HP DesignJet T790 Printer series	HP DesignJet T730 Printer	HP DesignJet T520 Printer series	HP DesignJet T120 Printer	HP DesignJet HD Pro Scanner	HP DesignJet SD Pro Scanner
Size	24 in (610 mm)	36 inch (914 mm)	24 in (610 mm) / 36 inch (914 mm)	24 in (610 mm)	42 inch (1067 mm)	44 inch (1118 mm)
Product Description	The most productive 24-inch HP DesignJet printer¹ for small teams	A smart investment for small businesses	Convenient, affordable HP DesignJet printer for small businesses	The most affordable HP DesignJet printer¹—easy to use and ultra compact	High-definition scanner for excellent color accuracy and image reproduction	High-productivity scanner for fast and detailed document reproduction
Key Support 1	QUALITY—Quickly produce outstanding results	SMART—Invest in a robust printer	OFFICE-READY—Fits the way you work	Value—More for your money	Excellent image reproduction with CCD technology	Detailed document reproduction with CIS technology
Key Support 2	CONVENIENCE—Speed up printing with easy workflow	EASY—Convenient printing helps reduce time, waste	EASY—Convenient printing designed for sharing	COMPACT—Easy to use and fits nearly anywhere	A fast HD scanner designed to streamline workflows	A fast SD scanner designed to streamline workflows
Key Support 3	RELIABILITY—Plug-and-play printer for small teams	MOBILE—Easily print from smartphone or tablet ²	MOBILE—Easily print from smartphone or tablet ²	MOBILE—Easily print from smartphone or tablet ²	Scan support customized for HP Designjet printers	Scan support customized for HP Designjet printers



New



Small design studios



Personal use



Scanners



- 1) Compared to other 24-inch HP DesignJet T-series printers.
- 2) Local printing requires mobile device and printer to be on the same network (usually Wi-Fi access points bridge wireless to wired connections) or have a direct wireless connection. Wireless performance is dependent on physical environment and distance from access point. Wireless operations are compatible with 2.4 GHz operations only. Remote printing requires an Internet connection to an HP web-connected printer. Wireless broadband use requires separately purchased service contract for mobile devices. Check with service provider for coverage and availability in your area. See <http://www.hp.com/go/designjetmobility> for more details.



HP DesignJet T730 Printer

**-Value
Proposition**

HP DesignJet T730 Printer

Product Description

A smart investment for small businesses

Key Supporting Point 1

SMART—Invest in a robust printer

Key Supporting Point 2

EASY—Convenient printing helps reduce time, waste

Key Supporting Point 3

MOBILE—Easily print from smartphone or tablet¹



1) Local printing requires mobile device and printer to be on the same network (usually Wi-Fi access points bridge wireless to wired connections) or have a direct wireless connection. Wireless performance is dependent on physical environment and distance from access point. Wireless operations are compatible with 2.4 GHz operations only. Remote printing requires an Internet connection to an HP web-connected printer. Wireless broadband use requires separately purchased service contract for mobile devices. Check with service provider for coverage and availability in your area. See <http://www.hp.com/go/designjetmobility> for more details.



HP DesignJet T730 Printer

-Main Product Features

B+ Tray

Adjustable 4.3 touch screen

Flexible cartridge sizes up to 300 ml

Mobile Wifi Direct

Robust design



HP DesignJet T730 Printer

-Selling Proposition

SMART—Invest in a robust printer



Robust, compact, and professional—this printer fits your business and gives you space to work.



Produces prints 3 times faster than previous HP models—see A1/D-size prints delivered in 28 seconds.

Choose from 40- to 300-ml HP ink cartridges to fit your print volume, large supplies can reduce interventions.



HP DesignJet T730 Printer

-Selling Proposition

EASY—Convenient printing helps reduce time, waste



Cut waste by 50%—print at half scale with automatic sheet feeder/tray; cut extra work, waste of wide rolls.¹

No LAN needed—move this printer any time, any place your Wi-Fi signal can reach with wireless connectivity.²



The front panel works like a smartphone—easily swipe through the intuitive user interface on the touchscreen.



- 1) Printing on sheets eliminates the extra work and cutting waste of printing on performance equivalent roll-based printers in the market as of September, 2015. For example, printing at half scale (13.5 inches) on a typical (36-inch) roll results in over 50% paper waste and additional labor to cut.
- 2) Local printing requires mobile device and printer to be on the same network (usually Wi-Fi access points bridge wireless to wired connections) or have a direct wireless connection. Wireless performance is dependent on physical environment and distance from access point. Wireless operations are compatible with 2.4 GHz operations only. Remote printing requires an Internet connection to an HP web-connected printer. Wireless broadband use requires separately purchased service contract for mobile devices. Check with service provider for coverage and availability in your area. See <http://www.hp.com/go/designjetmobility> for more details.



HP DesignJet T730 Printer

-Selling Proposition

MOBILE—Easily print from smartphone or tablet¹



Print from mobile devices in a few simple clicks with HP Mobile Printing¹—quickly work through revisions.



Use the HP AiO Printer Remote app² to access additional print features when printing from your a mobile device.



If you're on-the-go, attach your document to an email and send it directly to your printer via ePrint.¹



The printer creates its own Wi-Fi network for easy connectivity with Wi-Fi Direct.

- 1) Local printing requires mobile device and printer to be on the same network (usually Wi-Fi access points bridge wireless to wired connections) or have a direct wireless connection. Wireless performance is dependent on physical environment and distance from access point. Wireless operations are compatible with 2.4 GHz operations only. Remote printing requires an Internet connection to an HP web-connected printer. Wireless broadband use requires separately purchased service contract for mobile devices. Check with service provider for coverage and availability in your area. See <http://www.hp.com/go/designjetmobility> for more details.
- 2) The HP All-in-One Printer Remote mobile app is available for Apple® iPad, iPhone, and iPod Touch running iOS v7.0 or later and for Android™ mobile devices running Android™ v4.4 or later. The HP All-in-One Printer Remote mobile app is available for free from the Apple® App Store for Apple® mobile devices and from the Google Play Store for Android™ mobile devices.



HP DesignJet T830 Multifunction Printer

**-Value
Proposition**

HP DesignJet T830 Multifunction Printer

Product Description

Multifunction reinvented—built-in scanner at an unbeatable price¹

Key Supporting Point 1

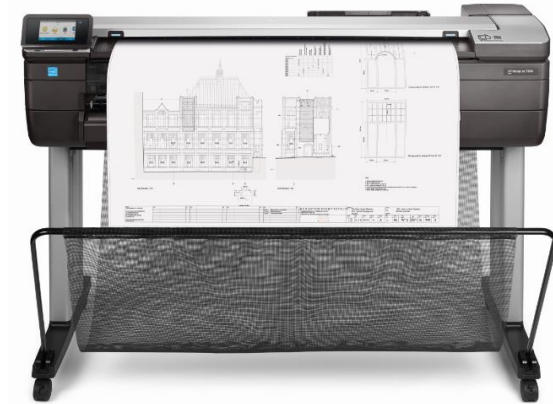
ROBUST—Damage-resistant for offices and job sites

Key Supporting Point 2

CONVENIENT—Easy operation helps users save time

Key Supporting Point 3

COLLABORATION—Mobile print/scan for team sharing



1) Based on 36-inch Wi-Fi integrated MFPs available in the market as of September, 2015.



HP DesignJet T830 Multifunction Printer

-Main Product Features

Adjustable 4.3 touch screen

- scan capabilities on your tablet



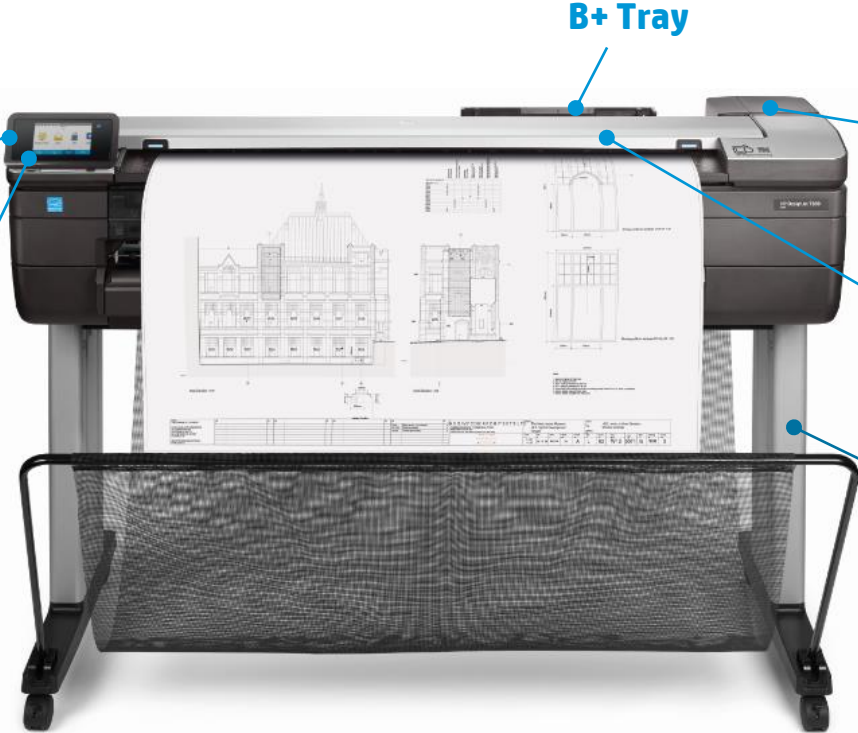
Mobile – Wifi Direct

B+ Tray

Flexible cartridge sizes up to 300 ml

Integrated scanner for collaboration

Robust design



HP DesignJet T830 Multifunction Printer

**-Selling
Proposition**

ROBUST—Damage-resistant for offices and job sites



Half the size¹, built to last—
this robust MFP handles
activity at challenging sites,
even construction.

Choose from 40- to 300-ml HP ink
cartridges to fit your print
volume, large supplies can reduce
interventions.



Produces prints 3 times faster
than previous HP models—
see A1/D-size prints delivered
in 28 seconds.



- 1) The HP DesignJet T830 Multifunction Printer is the most compact 36-inch device performing large-format print/scan/copy functions and is at least half the size (without the legs) based on H x W x L specifications published as of September, 2015.



HP DesignJet T830 Multifunction Printer

**-Selling
Proposition**

CONVENIENT—Easy operation helps users save time



Complete tasks intuitively—almost 3 times faster vs other devices¹—one touchscreen works like a smartphone.²

No LAN needed—move this MFP any time, any place your Wi-Fi signal can reach with wireless connectivity.²



Cut waste by 50%—print at half scale with automatic sheet feeder/tray; cut extra work, waste of wide rolls.³



- 1) Usability compared to competitive alternatives and based on internal HP testing and methodology in September, 2015 evaluating ease-of-use for first-time users comparing the time and additional assistance required to complete the task of copying a color A0-size document and scaling it down to A3 size on the HP DesignJet T830 Multifunction Printer with a single touchscreen compared to using a separate printer and standalone scanner.
- 2) Local printing requires mobile device and printer to be on the same network (usually Wi-Fi access points bridge wireless to wired connections) or have a direct wireless connection. Wireless performance is dependent on physical environment and distance from access point. Wireless operations are compatible with 2.4 GHz operations only. Remote printing requires an Internet connection to an HP web-connected printer. Wireless broadband use requires separately purchased service contract for mobile devices. Check with service provider for coverage and availability in your area. See <http://www.hp.com/go/designjetmobility> for more details.
- 3) Printing on sheets eliminates the extra work and cutting waste of printing on performance equivalent roll-based printers in the market as of September, 2015. For example, printing at half scale (13.5 inches) on a typical (36-inch) roll results in over 50% paper waste and additional labor to cut.



HP DesignJet T830 Multifunction Printer

**-Selling
Proposition**

COLLABORATION—Mobile print/scan for team sharing



Use integrated scanning to capture and share feedback, enable archiving, and more.



Conveniently scan, share, print right from your smartphone or tablet¹; enjoy a smartphone-like experience.



The printer creates its own Wi-Fi network for easy connectivity with Wi-Fi Direct.



Manage scans from your mobile device with the HP AiO Printer Remote app², enabled by HP Mobile Printing.

- 1) Local printing requires mobile device and printer to be on the same network (usually Wi-Fi access points bridge wireless to wired connections) or have a direct wireless connection. Wireless performance is dependent on physical environment and distance from access point. Wireless operations are compatible with 2.4 GHz operations only. Remote printing requires an Internet connection to an HP web-connected printer. Wireless broadband use requires separately purchased service contract for mobile devices.
- 2) The HP All-in-One Printer Remote mobile app is available for Apple® iPad, iPhone, and iPod Touch running iOS v7.0 or later and for Android™ mobile devices running Android™ v4.4 or later. The HP All-in-One Printer Remote mobile app is available for free from the Apple® App Store for Apple® mobile devices and from the Google Play Store for Android™ mobile devices.



Thank you

